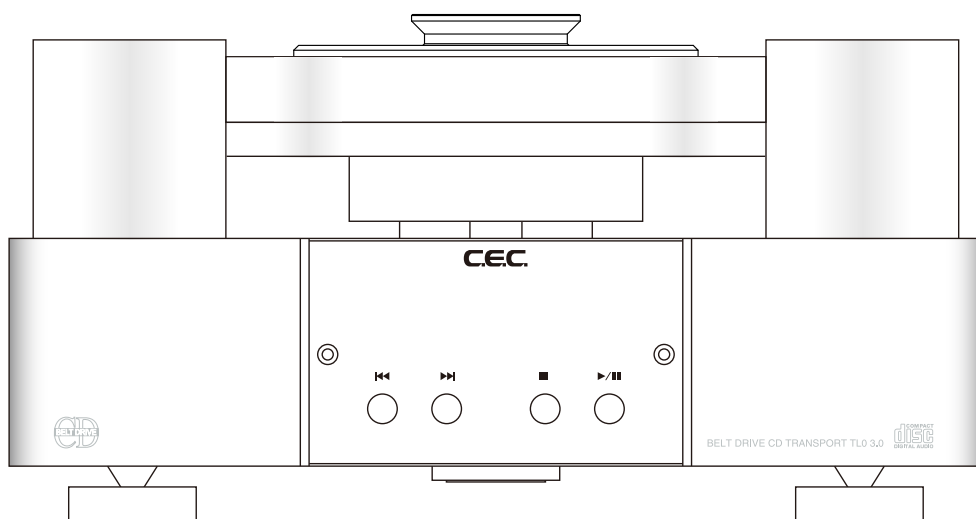


BELT DRIVE CD TRANSPORT

TL0 3.0

Owner's Manual



CEC

Contents

Introduction	2
Features	2
Important Safety Instructions	3
Handling Precautions	5
Compact Disc Handling	7
Unpacking and Packing	9
Accessories	9
Front Panel Functions	10
CD Tray	11
Rear Panel Functions	12
Installation and Connection	13
Playback	14
"SUPERLINK" Digital Signal Transmission System	15
Remote Control Unit	16
Programmed Playback	18
Dimmer	20
Tips and Hints	21
Maintenance	21
Troubleshooting	22
Specifications	23

Introduction

Thank you for purchasing a TL0 3.0.

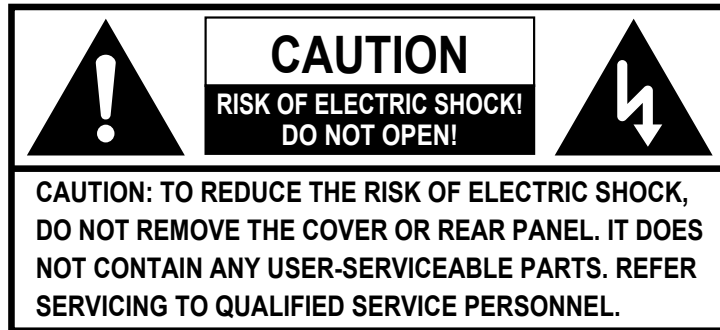
Please read through and refer to this Owner's Manual to use your TL0 3.0 safely and adequately.

It is recommended to keep the packaging available for future transportation needs.

Features

- ▷ Double belt-drive system which operates both center spindle and laser pick-up by rubber belt remarkably stabilizes the mechanical vibration and electrical noises caused by each driving motor. The disc stabilizer specially designed and precisely hand-made for TL0 3.0 covers the entire top and outer edge of the CD to prevent light scattering and internal reflection, and realizes smooth and stable rotation of the CD in belt-drive system with big inertia.
- ▷ The most important components to obtain the music signal out of rotating CD, spindle shaft and laser pick-up have been mounted to the double-constructed heavy chassis; brass and aluminum plates. It results that dumping effect has significantly been improved while vibration has quickly been absorbed. This heavy chassis with key components has been floated by special suspension system at three points; vibration frequency is now lowered to less than 5 Hz.
- ▷ CEC's original Super Link connection has been fitted for the first time in the TL0 series. When connected to the D/A converter equipped with Super-Link inputs, the shortest and most direct digital signal transportation is available without passing through encoding and decoding procedure.
- ▷ Word-clock input has been newly installed. Having the same outer clock as the D/A converter, jitter will be remarkably minimized to improve sound reproduction.

Important Safety Instructions



The lightning flash with arrowhead symbol, within an equilateral triangle, is intended to alert the user to potential electric shock hazards within the product's enclosure.



The exclamation point within an equilateral triangle is intended to notify the user to the presence of important operating and maintenance (servicing) instructions in the accompanying documentation.

WARNING: TO PREVENT FIRE OR SHOCK HAZARD, DO NOT EXPOSE THIS APPLIANCE TO RAIN OR MOISTURE.

- 1) Read these instructions.
- 2) Keep these instructions.
- 3) Heed all warnings.
- 4) Follow all instructions.
- 5) Do not use this appliance near water.
- 6) Clean only with a dry cloth.
- 7) Do not block any ventilation openings. Install in accordance with the manufacturer's instructions.
- 8) Do not install this appliance near any heat sources such as radiators, heat registers, stoves, or other apparatus (including amplifiers) that produce heat.
- 9) (For USA, Canada:) Do not defeat the safety purpose of the polarized or grounding-type plug. A polarized plug has two blades, with one blade wider than the other. A grounding type plug has two blades and a third grounding prong. The wide blade or the third prong is provided for your safety. If the provided plug does not fit your outlet, consult an electrician

for replacement of the obsolete outlet. (For European Countries:) Do not defeat the safety purpose of the grounding-type plug. This plug has two poles and a third grounding hole. The third hole is provided for your safety. If the provided plug does not fit your outlet, consult an electrician for replacement of the obsolete outlet.

- 10) Protect this appliance's power cord from being walked on or pinched, especially around the plugs, convenience receptacles, and where it exits from this appliance's casing.
- 11) Only use attachments/accessories specified by the manufacturer.
- 12) Only use this appliance with a cart, stand, tripod, bracket, or table specified by the manufacturer or sold with the appliance. If using a cart, exercise caution when moving the cart/appliance combination to avoid injury from it tipping over.
- 13) Unplug this appliance during lightning storms or when leaving it unused for extended periods of time.
- 14) Refer all servicing to qualified service personnel. Servicing is required when this appliance itself, its power-supply cord, or plug has been damaged in any way, when liquids have been spilled onto this appliance, when foreign objects have fallen into this appliance, when this appliance has been exposed to rain or moisture, when this appliance does not operate normally, or when this appliance has been dropped.



CAUTION:

- ▷ DO NOT EXPOSE THIS APPLIANCE TO DRIPS OR SPLASHES.
- ▷ DO NOT PLACE ANY OBJECTS FILLED WITH LIQUIDS, SUCH AS VASES, ON THIS APPLIANCE.
- ▷ DO NOT INSTALL THIS APPLIANCE IN A CONFINED SPACE, SUCH AS WITHIN A BOOKCASE OR SIMILAR PIECE OF FURNITURE.
- ▷ PLUG THE AC POWER CORD INTO AN EASILY ACCESSIBLE AC WALL OUTLET, SO IT CAN BE QUICKLY UNPLUGGED IN CASE OF EMERGENCY.
- ▷ DO NOT REMOVE THE PROTECTIVE HOUSING WITH A SCREWDRIVER.
- ▷ USE OF CONTROLS OR ADJUSTMENTS OR PERFORMANCE OF PROCEDURES OTHER THAN THOSE SPECIFIED HEREIN MAY RESULT IN HAZARDOUS RADIATION EXPOSURE.
- ▷ IF THIS APPLIANCE SEEMS TO BE MALFUNCTIONING, CONTACT A QUALIFIED SERVICE STATION. DISCONTINUE USE OF ANY MALFUNCTIONING UNIT.

For CANADA**AC POWER CORD CONNECTION****CAUTION:**

TO PREVENT ELECTRIC SHOCK, MATCH THE BLADE WIDTH OF THE PLUG TO THE SLOT WIDTH. THE PLUG MUST BE FULLY INSERTED TO THE SLOT.

Handling Precautions

① Connecting Other Devices

Unplug the AC power cord from the outlet before connecting or disconnecting other devices. Exercise caution when handling the AC power cord. When disconnecting the AC cord from a socket, make sure you pull the plug, and not the cord itself.

② Turning Power On/Off

Your system components should be turned on/off in the following order to avoid generating noise from your speakers and damaging the speakers themselves or other devices:

- ▷ **Turning power on:** Turn on this appliance before turning on the DA converter or amplifier connected to this appliance.
- ▷ **Turning power off:** Turn off the amplifier before turning off this appliance.

③ Optical Semiconductor Laser Pickup

The optical pickup is one of the important components that determine the performance of a CD transport. Never touch the optical lens of the pickup with your fingers, etc. Always place the CD Stabilizer on the CD-Turntable in the CD tray to keep the lens clean when not in use as well.

④ CD Stabilizer

Only use the provided CD Stabilizer with this appliance. Commercially available stabilizers may cause this appliance to malfunction.

⑤ Handle With Care

Avoid exerting excessive force on the cabinet, the switch, the knob, the terminal and the CD-Turntable on this appliance.

⑥ Installation

Use of an audio rack is recommended to maximize the sound quality and performance of this appliance. Installation and use of this appliance in the locations described below may cause deterioration in sound quality or malfunction:

- ▷ Locations exposed to direct sunlight, such as windowsills, and other exceptionally warm locations, such as near heating appliances (surrounding temperature higher than 35 °C), or exceptionally cold locations (surrounding temperature lower than 10 °C), may prevent this appliance from functioning adequately.
- ▷ Damp locations exceeding 90% humidity may cause this appliance's metal parts to rust, causing this appliance to malfunction.
- ▷ Dusty locations may cause this appliance to malfunction. The accumulation of dust inside the CD tray may lower the performance of music signal reading. It may also cause contact failure of the switches, and/or noise.
- ▷ Otherwise, avoid installing this appliance close to other transformers and electrical motors, so as to prevent the pickup of induction hum. Also, avoid mounting this appliance on surfaces that may be affected by vibration.

⑦ Avoid lightning strikes

Disconnect the AC power cord from the AC outlet when there is a thunderstorm in your vicinity.

⑧ Condensation

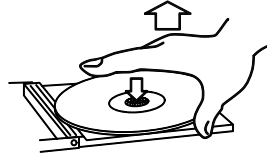
When this appliance is brought into a warm room when the exterior temperature is cold, or when the room temperature rises sharply from using a heater, condensation may form both inside and outside this appliance, hampering its performance. If this happens, leave this appliance unused in the room for 1 to 2 hours (depending on the amount of condensation), so as to bring the temperature of this appliance closer to the room temperature. The condensation should go away gradually.

⑨ Listening etiquette

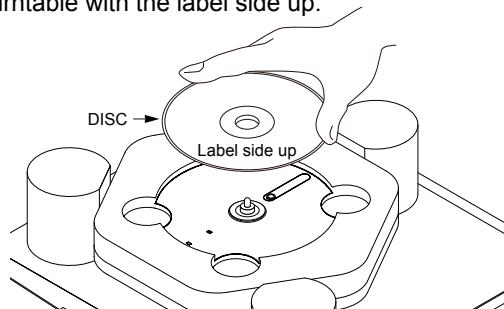
Make sure your playback sound, ex. due to too big sound, does not disturb other people and your neighborhood.

Compact Disc Handling

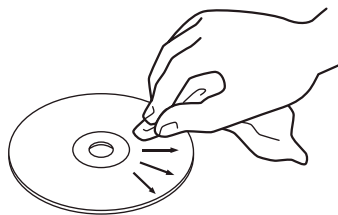
- ▷ When taking a compact disc from its case, lift it out by holding the edge of the disc while pressing down on the center button of the case.



- ▷ Since a compact disc can be played or recorded only on one side, discs should always be placed on the CD-Turntable with the label side up.

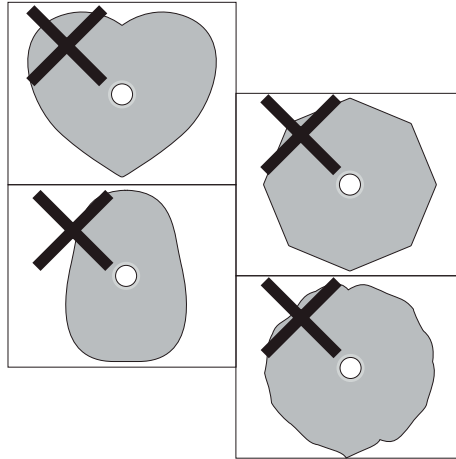


- ▷ Handle compact discs with care so as not to scratch their surfaces. Scratches, fingerprints or soiling may cause reading errors during playback.
- ▷ If a compact disc's surface becomes soiled, wipe it directly away from the disc's center with a soft, dry cloth. Try to keep the discs clean at all times.



- ▷ Never use chemicals such as record sprays, anti-static sprays, benzene or thinner to clean a disc. These may corrode the surface of a disc.
- ▷ Do not place discs in any locations subject to high temperatures and high humidity, or that receive direct sunlight. Keep discs away from radiators and electrical heaters. CD-R and CD/RW discs are especially sensitive to ultraviolet rays, so keep them out of direct sunlight.
- ▷ To avoid dust and scratching or warping of discs that could cause reading errors, replace discs in their cases after use.
- ▷ Do not attach any labels on a disc surfaces. Do not use discs that have Scotch tape, labels, excessive label glue exposed on the surface. These may cause this appliance to malfunction.

- ▷ Do not use cracked discs or irregularly shaped discs (octagonal, heart-shaped, or any other special shapes). These may cause this appliance to malfunction.

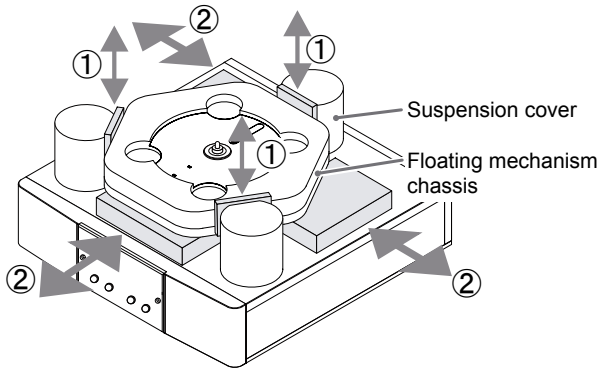


CD-R/RW DISC

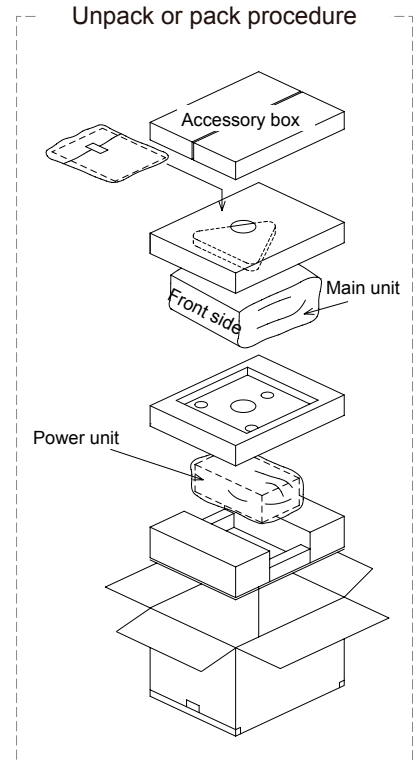
- ▷ This appliance is able to playback CD-R/RW discs recorded in audio CD format and finalized. Some CD-R/RW discs may be unplayable due to the quality of the CD-R/ RW disc and/or the quality of the recording.
- ▷ Do not attach stickers or protective seals on discs and do not use any protective coating sprays. If you wish to label a disc, only write on the label side using soft-tipped insoluble pens. Never use ballpoint pens or hard-tipped pens.

Unpacking and Packing

- ▷ Refer to the right drawing when unpacking or packing the TL0 3.0.
- ▷ To avoid damages during the transportation cushion pads keep the floating mechanism not to move around freely. Remove those pads after installing the main unit.



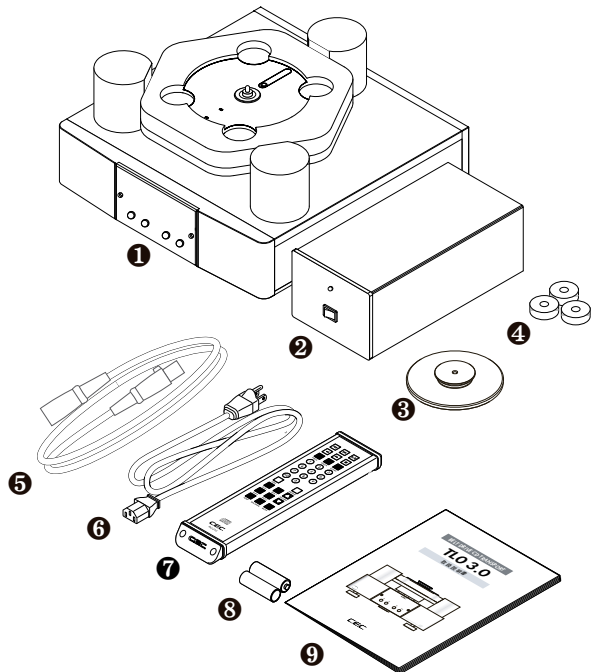
- ▷ When packing the TL0 3.0 again for transportation insert the ① three smaller pads between the suspension covers and the floating chassis and the ② three bigger pads under the floating chassis.



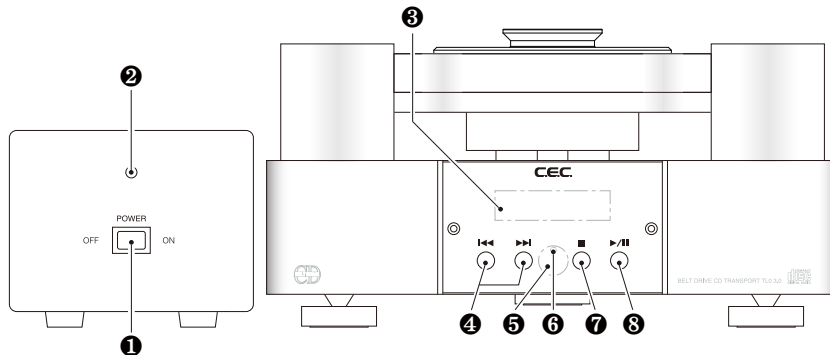
ACCESSORIES

TL0 3.0 should contain the following:

- ① TL0 3.0 main unit
 - ② Power supply unit
 - ③ CD Stabilizer
 - ④ Spike Saucer (3 pcs)
 - ⑤ 7-PIN Power cord
 - ⑥ 3-PIN Power cord
 - ⑦ Remote Control unit
 - ⑧ Two AA batteries for the remote
 - ⑨ Owner's manual
- ▷ Keep the packaging available for future transportation needs.
 - ▷ The power cords are for use with the TL0 3.0 exclusively, and should not be used for other devices.



Front Panel Functions



1 POWER Button

Press the right side of the POWER button to turn the power ON or press the left side to turn the power OFF.

The 2 power LED will light up with a red color while power is ON. When there are a disc and the CD Stabilizer on the CD tray the CD-Turntable will start rotating automatically to read out the disc information (TOC) and the display will blink "0 0:00". Approximately 5 seconds later the display will change to indicate the total number of tracks and the total playing time. When there is no disc on the tray the display will indicate "0 0:00".

2 Power LED

Lights up with a red color while power is ON.

3 Display Panel

After reading a table of contents (TOC) the display panel indicates the total number of tracks and total playback time, and during playback the track number being played and elapsed time are displayed.

A: Playback indicator lights up during playback.

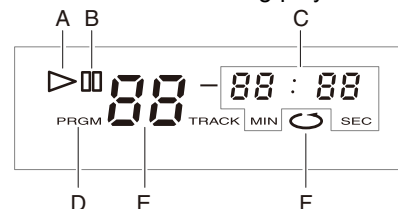
B: Pause indicator blinks during pause mode

C: Time display indicates the elapsed time/ remaining time for the track being played, total remaining time or total elapsed time.

D: Programming indicator lights up during program mode.

E: Track number display indicates the track being played.

F: Repeat indicator lights up when repeat mode is enabled.



4 Track Skip <</>> Buttons

Press the Skip forward >> or backward << button to jump to the next or previous track from the track being played (or displayed).

Pressing the skip backward << button during playback, playback will return to the beginning of the track being played. Press the skip backward << button twice repeatedly to jump to the previous track.

5 Remote Sensor

The remote sensor, which receives signals from the remote control unit, is located at

the center of the display window. Aim for this sensor when using the remote control unit. The remote control may malfunction if there are any obstacles between the remote control unit and the remote sensor.

⑥ Word Clock Indicator

The LED will light up when TL0 3.0 works with the clock coming from an external clock generator connected with the TL0 3.0 word clock input.

⑦ STOP ■ Button

Press the STOP button to stop playback.

⑧ PLAY/PAUSE ▶ / ⏸ Button

Press the button to start or to temporarily stop playback.

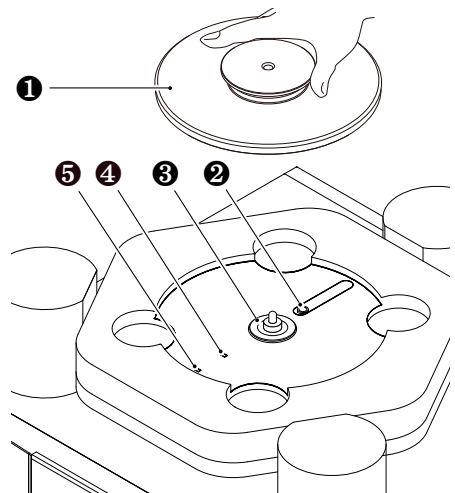
CD Tray

① CD Stabilizer

The CD Stabilizer for TL0 3.0 is heavy with a diameter of 12.5cm and weighing 460g.



■ Handle with care. Hold the top edge steadily when placing on or removing it from the CD-Turntable in the CD tray. Dropping the CD Stabilizer may damage it and decrease playback accuracy.



② Optical Laser Pickup Lens

The optical laser pickup reads signals from the compact disc. To keep it clean never touch the lens with your fingers, etc.

③ CD-Turntable

Place a compact disc on the CD-Turntable, and place the CD Stabilizer on top of the disc. Leave the CD Stabilizer on the CD-Turntable when not in use, even when no disc is in place to prevent dust from the CD tray.

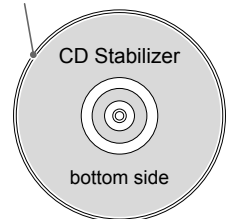
④ Disc Sensor window

The sensor inside the small window detects a disc placed on the CD-Turntable.

⑤ CD Stabilizer Sensor window

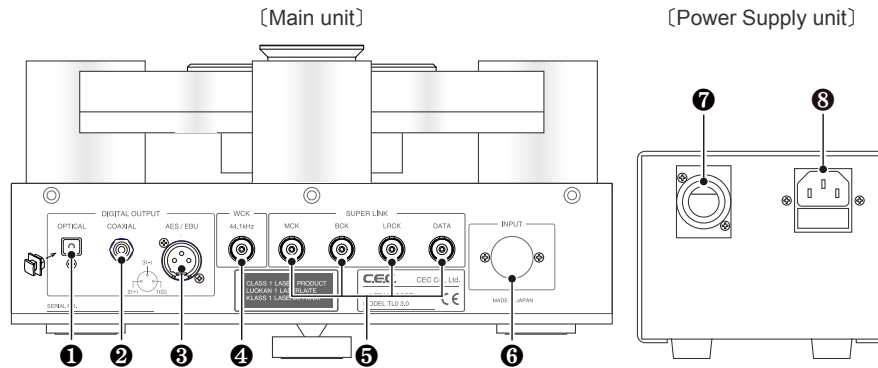
The sensor inside the small window detects the CD Stabilizer placed in the CD tray. The glossy area at the outside of the CD Stabilizer bottom is important for the sensor to work precisely. Keep it clean otherwise malfunction.

Glossy area for the sensor to detect the CD Stabilizer



■ Never close these two sensor windows ④ & ⑤ with the other objects otherwise malfunction.

Rear Panel Functions



DIGITAL OUTPUT

① TOS LINK (Optical)

Connect to a digital audio device with a TOS LINK digital input by using an optical cable. When any optical cable is not connected the cap should be returned to the TOS LINK terminal.

② COAXIAL

Standard digital (SPDIF) signal output jack with a RCA type connector. Connect to a digital audio device with a coaxial RCA input by using a RCA (75Ω) cable.

③ AES/EBU

Connect to a digital audio device with an AES/EBU(XLR) input by using a XLR 110Ω cable. (Pinning: 1=GND, 2=Hot, 3=Cold)

WORD CLOCK INPUT

④ WORD CLOCK

44.1kHz word clock input jack with a BNC type connector. Connect to an external clock generator using a BNC (75Ω) cable. When TL0 3.0 works with the external clock the blue LED at the center of the display panel lights up.

SUPERLINK

⑤ SUPERLINK

CEC's proprietary "SUPERLINK" digital input/output for use with a CEC's compatible D/A converter. There are four BNC type terminals named MCK, BCK, LRCK and DATA. Four BNC (75 ohm) cables are required.

▷ SUPERLINK works with the first priority even when an external word clock signal is coming in

POWER SUPPLY

⑥ ⑦ AC LINE

Connect the supplied 7-pin power cord between the main unit and the power supply unit.

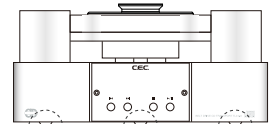
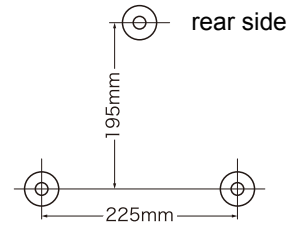
⑧ AC LINE

Connect the supplied 3-pin AC power cord to the AC LINE inlet.

Installation and Connection

Installation

TL0 3.0 is equipped with the floating suspension supported by the three tiptoe legs. Install the supplied three spike saucers as shown at the right side drawing, and put the spikes of the main unit onto the saucers.



Be careful of spikes!



■ Touching the spike end or catching your fingers between the spike end and the floor may cause a serious injury. Handle with care!

■ Like for a temporary installation, if the TL0 3.0 is not put onto the spike saucers the distance between the bottom plate and the installation surface will be much smaller. Be careful not to catch your fingers between them, or not to damage the installation surface by the spike end.

To D/A converter

① TOS LINK

Connect with an optical cable with the squared TOS LINK plug.

② COAXIAL

Connect with a 75Ω coaxial cable.

③ AES/EBU

Connect with a 110Ω XLR cable.

To Clock Generator

④ Connect with a 75Ω BNC cable.

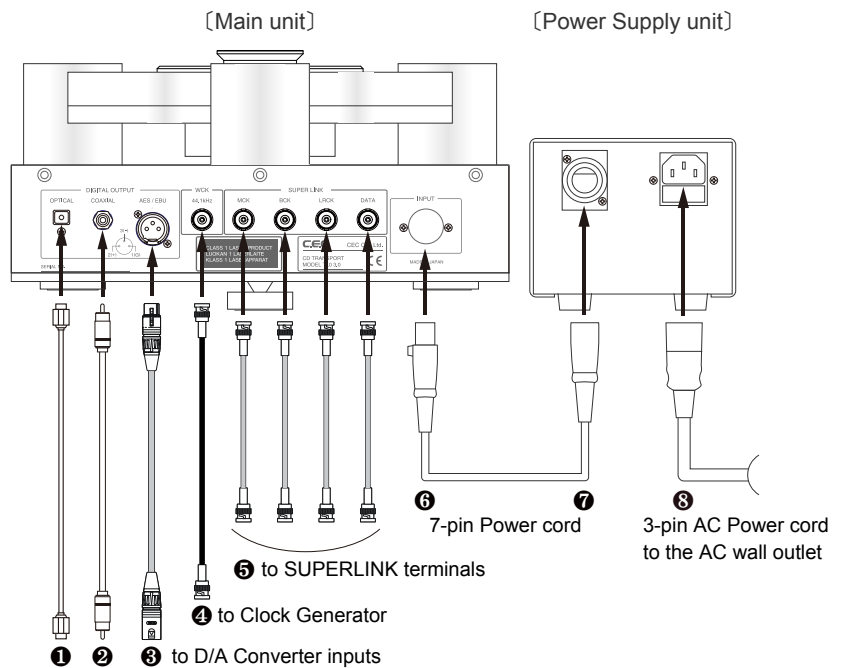
To SUPERLINK on a D/A converter

⑤ Connect with four 75Ω BNC cables to the corresponding terminals on a D/A converter like CEC DA1N and DA3N.

Power Supply

⑥ ⑦ Connect the supplied 7-pin power cord between the main unit and the power supply unit.

⑧ Connect the supplied 3-pin AC power cord to the AC LINE inlet and the wall outlet.



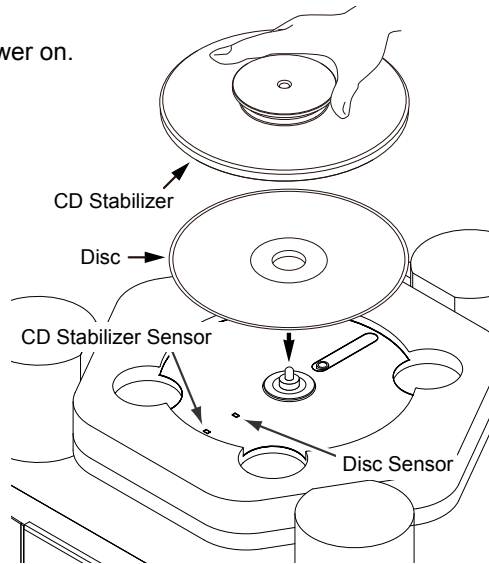
Playback

Normal Playback

- ❶ Press the POWER button to turn the power on.
- ❷ Lift up the CD Stabilizer holding the top edge securely. Place a disc on the CD-Turntable and place the CD Stabilizer gently on top of the disc. Remove your hand from the CD Stabilizer before the CD-Turntable will start automatically in 1 second.

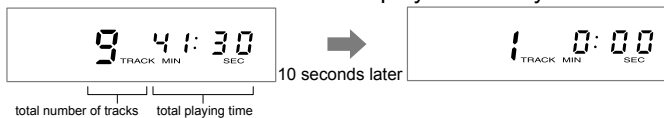


■ Only use the supplied CD Stabilizer. Any other type of the CD Stabilizer may cause a malfunction.



- ❸ The disc and the CD Stabilizer placed on the CD-Turntable are detected by the sensors, then the CD-Turntable will start rotating in 1 second automatically to read out the disc information. Approximately 5 seconds later the display will change to indicate the total number tracks and the total playing time.

Leaving the TLO 3.0 without pressing any button the display will change approx. 10 seconds later to show the 1st track playback ready.



- ❹ Press the PLAY/PAUSE ►/|| button to start playback. The playback ▷ indicator and track number should be shown on the display, followed by the elapsed time for the track being played.



Skip Track

Press the Skip forward ►► or backward ◀◀ button to jump to the next or previous track from the track being played (or displayed).

Note: Pressing the skip backward ◀◀ button during playback, playback will return to the beginning of the track being played. Press the backward ◀◀ button twice repeatedly to jump to the previous track.

Pause Playback

Press the PLAY/PAUSE ►/|| button to stop playback temporarily. Press this button again to resume playback.

Stop Playback

Press the STOP button to stop playback.



NOTE: After pressing the STOP button it will take a few seconds for the CD-Turntable to stop spinning. Do not touch the CD Stabilizer or the disc until those stop completely. Pressing the CD Stabilizer down excessively may damage the CD mechanism or cause this appliance to malfunction.

Remove the Disc

After the CD Stabilizer stops remove the CD Stabilizer first by holding its top edge, then the disc. Place the CD Stabilizer on the CD-Turntable even without disc.

- ▷ Do not leave a disc on the CD-Turntable when the TL0 3.0 is not in use.
- ▷ The CD Stabilizer which works also for a dust cover should be kept on the CD-Turntable when unused.

"SUPERLINK" Digital Signal Transmission

SUPERLINK is CEC's proprietary digital signal transmission system that transports music signals and synchronization(clock) signals with separate cables. The SPDIF(Sony Philips Digital Inter Face) and AES/EBU(Audio Engineering Society/European Broadcasting Union) systems, commonly used in coaxial digital outputs and optical outputs, transmit both the music and clock signals through the same cable, and thus are prone to jitter effects caused by the signals interfering with each other. CEC's SUPERLINK system transmits these signals separately with multiple cables, requiring no encoding/decoding process for data transmission. It minimizes deterioration of the music signal during transmission by using the clock signals from the D/A converter's master clock generator to achieve complete synchronization. Each transmission path delivers/receives the following signals.

MCK(Master Clock): The CD transport receives the master clock signal from the D/A converter through this line, and functions as a slave to the DA converter, enabling completely synchronized transportation of audio data.

BCK(Bit Clock): Sends bitclock signals, required for digital data bit identification(e.g. sampling frequency) or signal readout, from the CD transport to the D/A converter.

LRCK(L/R Clock): Sends left/right identification clock signals from the CD transport to the D/A converter.

DATA: Sends audio data from the CD transport to the DA converter.

Remote Control unit

Key Functions

1 Skip <</>/>> button

Jump to the previous or next track.

2 Search <</>/>> button

Press and hold the button to quickly search through the track being played. <<< searches through the track backwards, >>> searches forwards.

3 CHECK button

Press the button to check the order of tracks in your current programmed setting. Refer to "PROGRAMMED PLAYBACK" on page 18 for details.

4 PROGRAM button

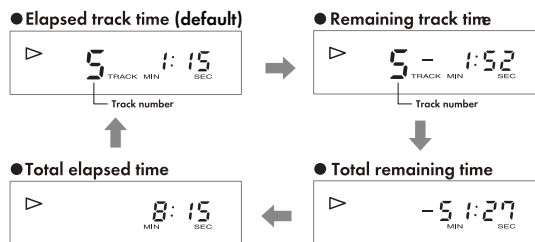
Press the button to enable programmed playback. Refer to "PROGRAMMED PLAYBACK" on page 18 for details.

5 Numeric Keys

Use these keys to select tracks directly during playback or when entering a programmed playback order. To select ex. 24-track press +10 twice and then 4.

6 DISPLAY button

Press the button to cycle the display through various mode. Each press of the DISP button cycles the display in the following order: track number/elapsed track time (default display) → track number/remaining track time → total remaining time → total elapsed time → back to track number/elapsed track time (default display).



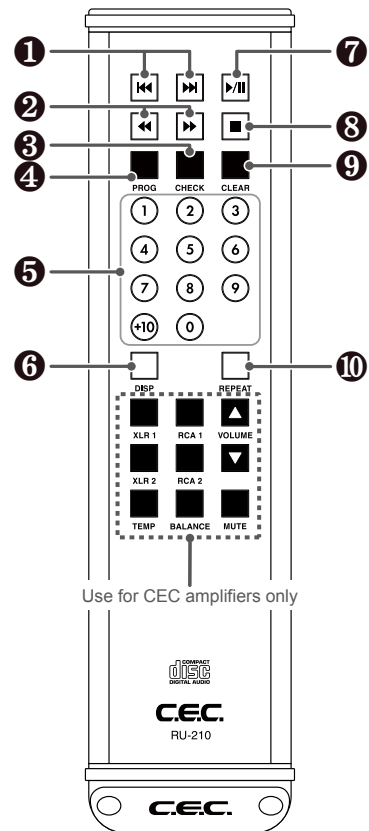
▷ Total remaining time and total elapsed time will not be displayed when program mode and/or repeat mode are active.

7 PLAY/PAUSE >/|| button

Press the button to start playback or to pause playback temporarily.

8 STOP ■ button


Press the button to stop playback.

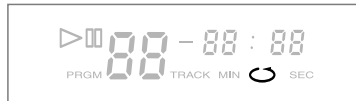


⑨ CLEAR button

Press the button to clear the current programmed setting. Refer to "PROGRAMMED PLAYBACK" on page 18 for details.

⑩ REPEAT button

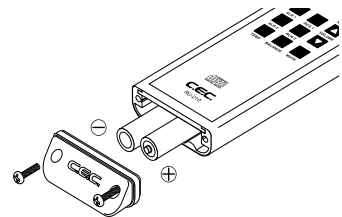
Press to repeatedly playback all the tracks on a disc. When repeat mode is on, the display will show the repeat  indicator. Press again to cancel the repeat mode.

**Precaution on handling the remote control unit**

- ▷ When operating the remote control, point it towards the remote sensor on the front panel.
- ▷ Make sure nothing is blocking the front panel where the remote sensor is located.
- ▷ Avoid exposing the remote sensor on the front panel to direct sunlight or other light sources, as such exposure can cause malfunction.
- ▷ The remote control unit may malfunction when its batteries are running low. Change the batteries to new ones of the same type if this seems to be the case.

Battery Installation

Unscrew the battery compartment cover using a Philips screwdriver, and remove the cover. Insert the provided two AA batteries into the compartment. Make sure that the batteries are inserted with their positive (+) and negative (-) poles positioned correctly, and screw the cover back on.

**Battery Replacement Period**

If the distance at which the remote control unit can be used to operate TL0 3.0 seems to be decreasing, replace both batteries with new ones.

Precaution on handling batteries

- ▷ Never use different types of batteries together. Both rechargeable and non-rechargeable batteries can be used, but the two should not be used together.
- ▷ If you will not be using the remote control unit for an extended period of time (more than a month), remove the batteries to prevent leakage.
- ▷ If the batteries leak, use a cloth to wipe away the liquid inside the battery compartment and replace the batteries with new ones.
- ▷ Do not heat or disassemble batteries, and never dispose of old batteries by throwing them in a fire. Dispose of batteries following laws in the local area.

Programmed Playback

Programming

Up to 32 tracks in a customized playback order can be programmed by using the remote control unit while playback is stopped.

- 1 Press the PROGRAM button on the remote control unit to activate the program mode. "PRGM" is displayed, and "1" as temporary track number blinks and "1" as the first playback order is displayed.



- 2 Select a track number by pressing the numeric keys on the remote control unit. The selected track will be added to the program. For example: Press key-5 to add the 5th track to the 1st playback order, then press key-3 to add the 3rd track to the 2nd playback order. Repeat this process to program additional tracks.



- ▷ In case that a number beyond the last track number on a disc is selected the last track may be added alternatively.
- ▷ After the 1st playback track is added you can select an addition track by pressing skip buttons as well. The selected track number blinks. Then press the PROGRAM button to add the track to the program. In this way press the PROG. button to add the track every after blinking a track number by pressing skip buttons.

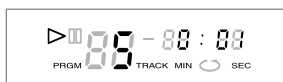


- 3 Press the STOP button to complete the programming phase. The 1st playback track number is displayed. If 32 tracks are programmed "FULL" is displayed as well.



Playback in Program Mode

Press the PLAY/PAUSE ►/|| button while the "PRGM" indicator is shown on the display to play the programmed tracks.



- ▷ To return to the normal playback mode, press the PROGRAM button while playback is stopped. The "PRGM" indicator will disappear from the display. To return to the program mode, press the PROGRAM button again.

Checking, Adding, Changing and Deleting Programmed Tracks

Programmed tracks can be checked, added, changed and deleted under the program mode while playback is stopped.

① Check the Playback Order of Programmed Tracks

Press the CHECK button repeatedly to show the playback order of programmed tracks. The display changes to show "- -" when you reach the next to the last track in the program.

Pressing the CHECK button again here will display the first track in the playback order.



- ▷ If you press the STOP button, the display will jump back to the first track in the programmed order.

② Add Tracks to the Program

To add one track to the current program, press the STOP button and select the track number with the numeric keys. The new track will be added to the end of the current playback order. Repeat this process to add more tracks to the program. Press the STOP button to complete the track-adding phase.

③ Chang Tracks in the Program

To change one track in your programmed playback order, press the CHECK button repeatedly until the track number in question is displayed, then select a new track number. The new track will overwrite the existing track. Repeat this process to change more tracks. Press the STOP button to finish the track-changing phase.

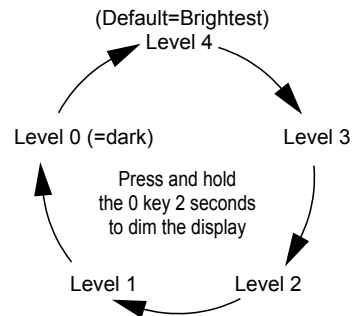
④ Delete Programmed Tracks

- ▷ All tracks: to clear the entire program, hold down the CLEAR button for more than 2 seconds.
- ▷ One track: to clear one track from the program, press the CHECK button repeatedly until the track number in question is displayed, then press the CLEAR button. Repeat this step (CHECK then CLEAR) to remove more tracks from the program.
- ▷ The entire program will be deleted automatically when you remove the CD Stabilizer or turn the power off.

DIMMER

Display brightness can be changed in different five levels.

- ❶ Press and hold the numeric “0” key on the remote control unit for 2 seconds to dim the display. Every 2 seconds the display will change in the order shown by the drawing at the right side. Level 4 is the default setting and brightest, and level 3 is less bright than level 4. Level 0 means that the display is turned off, i.e. completely dark.
- ❷ In the Level 0 setting it will be returned to one brighter level 1 automatically whenever the CD Stabilizer is removed. Press and hold the 0 key 2 seconds again for the DARK setting after placing the CD Stabilizer.
- ❸ Regardless of the current DIMMER setting it will be returned to the default in case that the power is turned on again, or the connected D/A converter input is changed to or from SUPERLINK.



Tips and Hints

- ❶ Do not touch the CD Stabilizer and the disc until the CD-Turntable has stopped spinning completely. Pressing the CD Stabilizer down excessively while it is still spinning may cause stress on the spinning mechanism and lead to malfunction.
- ❷ The supplied CD Stabilizer is very heavy and should be handled with care. Dropping it on the floor etc. by accident may cause deformation resulting in reading errors. The CD Stabilizer is a fragile and expensive part, and should be handled with care.
- ❸ **Belt replacement and Spindle overhaul**

TL0 3.0 is equipped with a belt drive mechanism. The rubber belt will gradually deteriorate over time. Possible symptoms resulting from this are; failure to read TOC, sound skipping, etc. You will need to have the belt replaced in such cases. We recommend replacing the belt at least once every 5 years.

Likewise, the spindle will also gradually deteriorate over time. We recommend an overhaul at least once every 8 years. Please contact your dealer or an authorized CEC service center.

Maintenance

- ❶ If the surface of the TL0 3.0 case becomes soiled, wipe with a soft cloth or use diluted neutral cleaning liquid. Be sure to remove any fluid completely. Do not use thinner, benzene, alcohol, chemical cloths or bleaching agents as these may damage the surface of the TL0 3.0 case. Also avoid using aerosol insecticides near this appliance.
- ❷ If dust accumulates on the CD-Turntable, remove it with stick tape (e.g. Scotch tape). Make sure not to touch the optical pickup lens with your fingers.
- ❸ TL0 3.0 requires no periodic maintenance except the belt and spindle replacement mentioned above, and contains no user-serviceable parts. Contact your dealer or an authorized CEC service center for an inspection and repair in case of malfunction.

Troubleshooting

If you suspect a malfunction in this appliance, please check the following chart before calling your dealer.

▷ No power

- ➔ Check the connection at the both ends of the AC power cord.
- ➔ Make sure there is power at the wall outlet.

Note: Turning the power on/off repeatedly may cause this. Wait for 5 seconds before turning the power on again.

▷ No playback

- ➔ Check that the disc is placed with its label facing up.
- ➔ Check that the CD Stabilizer is placed correctly.
- ➔ If the disc is soiled, clean the surface of the disc.
- ➔ If the bottom outside of the CD Stabilizer is soiled, clean the surface.

▷ No sound

- ➔ Check the connection to the D/A converter or the amplifier.
- ➔ Check whether the matching input is selected on the D/A converter or the amplifier.

▷ Hum noise or distortion

- ➔ Check if the plugs are connected correctly.
- ➔ Make sure correct cable is used in the specific direction.

▷ Sound skipping

- ➔ Place the player on a stable rack to prevent the effects of vibration.
- ➔ If the disc is soiled, clean the surface of the disc.
- ➔ Do not use scratched, damaged or warped discs.

▷ Interference on the tuner

- ➔ The tuner is too close to the TL0 3.0. Install the TL0 3.0 away from it or turn off the tuner's power.

▷ Unresponsive to remote control

- ➔ Point the remote control towards the remote sensor on the front panel.
- ➔ Remove any objects blocking the sensor.
- ➔ Use the remote control unit at a shorter distance from the TL0 3.0.
- ➔ Replace the batteries in the remote control unit with new ones.

NOTES:

TL0 3.0 contains a microcomputer that can malfunction due to the external noise or interference. If this seems to be the case, turn the unit off and wait for a short while before turning it back on and trying again.

Specifications

Playable Disc	Audio CD and finalized Audio CD-R/RW	
Spindle Drive System	Belt-Drive	
Pickup Drive System	Belt-Drive	
CD Stabilizer	Diameter approx. 125mm, Weight approx. 460g (Brass, Nickel Plating)	
	Inertia Moment $6.6 \times 10^{-4} \text{N} \cdot \text{m} \cdot \text{s}^2$	
Spindle Shaft	$\phi 5\text{mm}$	
Floating Suspension	D.R.T.S.(Double Rubbers & Triple Springs), Three points of spikes type support	
Floating Chassis	Hexagonal two layers structure of different kind metal (thickness 20mm aluminum and 10mm Brass)	
Main Control Chassis	Maximum thickness 20mm Aluminum	
Digital Output	Superlink x 1(BNC x 4): 2.5Vp-p/75 Ω	
	AES/EBU x 1(Pin 2=hot): 2.5Vp-p/110 Ω	
	COAXIAL x 1: 0.5Vp-p/75 Ω	
	TOS x 1: -21 ~ -15dBm EIAJ	
Word Clock Input	BNC x 1: 44.1kHz	
Power Supply	AC120/230V, 50/60Hz (Specified on rear panel)	
Power Consumption	12W	
Dimensions	Main unit	Approx. 300(W) x 317(D) x 158(H)mm(Incl. CD Stabilizer, Leg, button, terminal, etc.)
	Power unit	Approx. 128(W) x 260(D) x 103(H)mm
Weight	Main unit	Approx. 16.5kg (Incl. CD Stabilizer)
	Power unit	Approx. 3.2kg
Accessory	CD Stabilizer, Spike Saucer x 3, 7-pin Power Cord, 3-pin Power Cord, Remote Control unit, AA battery x 2, Owner's Manual	

- ▷ Design and specifications are subject to change without notice.
- ▷ Illustrations in the Owner's Manual may deviate from the actual unit due to design improvements.

CEC

CEC Co., Ltd., Japan
